

**JOHNSON  
 CONTROLS**

Johnson Controls, Inc.  
 507 E. Michigan Street  
 P.O. Box 423  
 Milwaukee, WI 53201

**V-3752 N.O. Cast Brass Valve  
 Steam or Water  
 1 1/2 & 2" Screwed Ends**

DISCONTINUED  
 5-3-89

SEE V-3754  
 1/2" TO 1 1/2"  
 V-3754  
 1/2" TO 2"

The V-3752 normally open valve is designed to accurately regulate the flow of steam or hot and cold water through coils or heat exchangers of all types. It is available with or without a factory installed V-3000 exposed type pneumatic actuator; enclosed actuators are also available, order separately. The V-3000 actuator has a die cast aluminum housing and a molded, synthetic rubber diaphragm that provides a constant effective area through the valve travel. By loosening a single set screw, the complete actuator assembly can be removed, without disturbing the remainder of the valve assembly. A V-3752 valve, less actuator can also be used with a T-3110 or T-3310 Valve Top Thermostat. Actuator and valve provide a Push Down to Close (PDC) combination for normally open applications.

A modulating valve plug, with a replaceable composition disc especially compounded for steam and water service, provides an equal percentage relationship between valve lift and flow at a constant pressure drop.

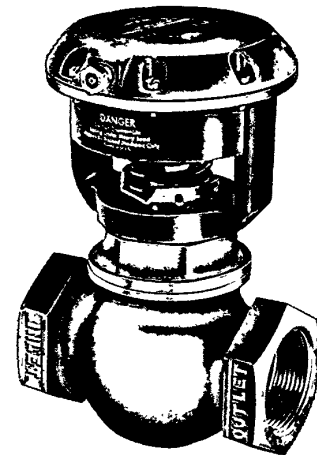
**Operation**

Air pressure from a pneumatic controller is applied to the diaphragm of the actuator which moves the piston against the forces of the internal spring and the fluid. The piston will move the valve plug to a position where the diaphragm pressure and the spring force balance fluid forces. These fluid forces will cause the operating range to shift from the nominal spring range.

This valve is available with a V-9502 Positioner where sequential operation is desired or positioning power is required.

**Installation**

It is recommended that the V-3752 be mounted in an upright position in a conveniently accessible location. Sufficient clearance must be allowed for actuator and trim removal. The V-3752 must be piped so that the plug seats against the flow.



V-3752 with V-3000 Actuator

**Specifications**

<b>Product</b>	V-3752 N.O. Steam or Water Valve	
<b>Models &amp; Sizes</b>	See Table 1	
<b>Body Style &amp; Sizes</b>	Globe 1-1/2 and 2 in. Connections (I.P.T.)	
<b>Control Air Connection</b>	Protected Barb for 5/32 or 1/4 in. O.D. Poly tubing	
<b>Normal Position</b>	Open — Control Signal Closes	
<b>Body Rating</b>	150 PSIG (1035 kPa)	
<b>Max. Pressure &amp; Temperature</b>	<b>Steam</b>	35 PSIG (245 kPa); 281F (138°C)
	<b>Water</b>	150 PSIG (1035 kPa); 281F (138°C)
<b>Maximum Control Pressure</b>	30 PSIG (210 kPa)	
<b>Spring Ranges (Nominal)</b>	3 to 6 PSIG or 9 to 13 PSIG (21 to 42 or 63 to 91 kPa)	
<b>Valve Plug</b>	Equal Percentage	
<b>Ambient Operating Temperature Limits</b>	-10 to 150F (-23 to 66°C)	
<b>Maximum Storage Temp.</b>	150F (66°C)	
<b>Material</b>	<b>Body</b>	Cast Brass
	<b>Actuator</b>	Die Cast Aluminum
	<b>Trim</b>	Brass
	<b>Stem</b>	Stainless Steel
	<b>Stem Packing</b>	Synthetic Elastomer U-Cup
	<b>Diaphragm</b>	Synthetic Rubber
	<b>Disc</b>	Replaceable Composition
<b>Accessory (Order Separately)</b>	Valve Position Indicator	

*"The performance specifications for this equipment are nominal and conform to generally acceptable industry standards. Johnson Controls, Inc. shall not be liable for damages resulting from misapplication or misuse of its products."*

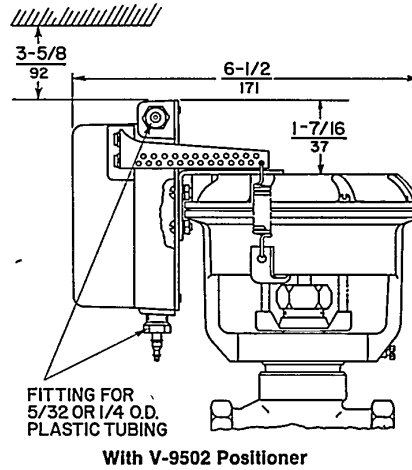
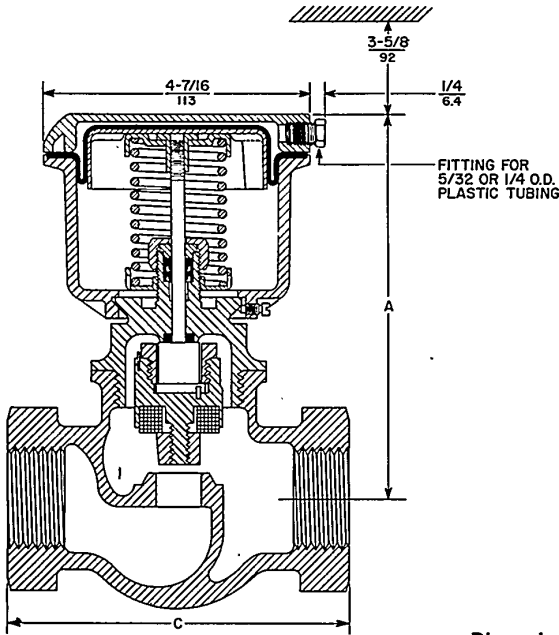


**Dimensions  $\frac{\text{in.}}{\text{mm}}$**

Size in.	Dimensions $\frac{\text{in.}}{\text{mm}}$	
	A	C
1-1/2	5-15/16	4-7/8
	151	124
2	6-7/16	5-1/8
	163	130

**Table 1  
Nominal Valve Properties**

Size in.	C <sub>v</sub> /k <sub>v</sub> Factor	Spring Range PSIG kPa	V-3752 Code Number		
			with V-3000 Actuator	Less Actuator	With Positioner
1-1/2	20	3-6	1047	47	1049
		21-42			
		9-13	1030	30	—
		63-91			
2	26	3-6	1048	48	1050
		21-42			
		9-13	1032	32	—
		63-91			



**Dimensions  $\frac{\text{in.}}{\text{mm}}$**

V-3752-1029 1/2" w/ 4 to 8 psi spring  
 WAS REPLACED BY V-3752-1047

**JOHNSON CONTROL**  
 DESIGN • MANUFACTURE • INSTALLATION



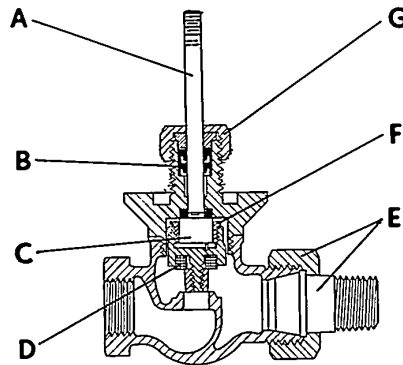
**JOHNSON SERVICE COMPANY**  
 MILWAUKEE, WISCONSIN AND PRINCIPAL CITIES

## Johnson V-3752 Water or Steam Valve for Penn Electric Operator

Normally Open

Single Seat

Modulating Plug



½" Thru 2"

**DISCONTINUED**

### USE CODE NUMBER ONLY WHEN ORDERING

ITEM	NAME OF PART	CODE NO.
A	Stem and Swivel Assembly Includes: Stem and Swivel	
	Valve size	
	½" Low Lift	V-3752-648
	¾" Low Lift	V-3752-649
	1" Low Lift	V-3752-656
	1¼" Low Lift	V-3752-657
	½" High Lift	V-3752-658
	¾" High Lift	V-3752-659
	1" High Lift	V-3752-660
	1¼" High Lift	V-3752-661
B	Packing Kit for:	
	½" - 1¼" Low Lift, 1½" & 2" High Lift	V-3020-629
	½" - 1¼" High Lift	V-4710-634

LIST OF PARTS CONTINUED ON NEXT PAGE



**USE CODE NUMBER ONLY WHEN ORDERING**

*WPS M6*

ITEM	NAME OF PART	CODE NO.
C	Disc Assembly Includes: Disc, Disc Holder, Modulating Plug, Washer and 2 Pins for:	
	Globe Valves	
	Valve Size      Seat Size      Cv	
	1/2" Low Lift      3/8"      2.3	V-3020-647
	3/4" Low Lift      1/2"      3.8	V-3020-666
	1" Low Lift      3/4"      7.0	V-3020-667
	1 1/4" Low Lift      1"      12.0	V-3020-668
	1/2" High Lift      3/8"      2.3	V-3752-650
	3/4" High Lift      1/2"      3.8	V-3752-651
	1" High Lift      3/4"      7.0	V-3752-652
	1 1/4" High Lift      1"      12.0	V-3752-653
	1 1/2" High Lift      1 1/4"      15.0	V-3752-654
	2" High Lift      1 1/2"      18.0	V-3752-655
D	Disc Only	
	Valve Size	
	1/2"	V-3020-621
	3/4"	V-3752-647
	1"	V-3011-601
	1 1/4"	V-3011-602
E	Union Nut and Male Tailpiece Assembly for Valves with Union Connections	
	Valve	
	1/2"	V-3752-636
	3/4"	V-3752-637
F	Swivel Nut for:	
	Globe Valves Valve Size	
1/2"	V-3020-640	
3/4" Thru 2"	V-3020-641	
G	Gland Nut	
	Low Lift	V-3752-646
High Lift	V-5250-600	

*V-3020-670*



**JOHNSON SERVICE COMPANY**  
507 EAST MICHIGAN STREET • MILWAUKEE, WISCONSIN 53201

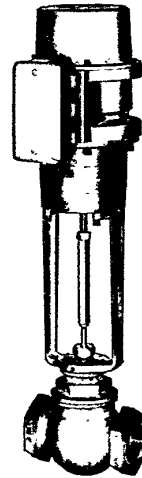
PRODUCT  
DATA  
VB-3752

## JOHNSON VB-3752

### N.O. Steam or Water Valve

**½" thru 2" Cast Brass    2½" thru 6" Cast Iron**  
**150 psig Body Rating**

The Johnson VB-3752 Normally Open Valve is designed to regulate the flow of steam or water through coils or heat exchangers of all types. This valve is accurately positioned by a VA-3200, VA-3400 or VA-5000 actuator.



VB-3752 N.O.  
Valve with  
VA-3200  
Actuator

#### Installation

It is recommended that the VB-3752 valve be mounted in an upright position. It must be piped so that the valve seats against the flow and arranged so that the actuator can be easily removed and replaced.

**C<sub>v</sub> Factor Table**

Valve Size (in.)	1/2		3/4	1	1-1/4	1-1/2	2	2-1/2	3	4	5	6	
C <sub>v</sub> Factor	0.9	1.5	1.8	3.8	7.0	12.0	20.0	26.0	51.0	83.0	150.0	240.0	350.0

#### Specifications

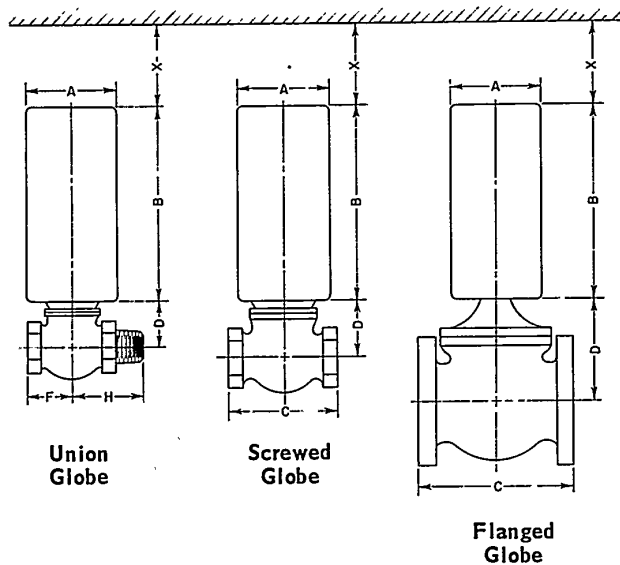
PRODUCT		VB-3752 NORMALLY OPEN VALVE	
SERVICE		STEAM OR HOT AND COLD WATER	
BODY PATTERN, SIZES AND SERVICE CONNECTIONS	UNION GLOBE	1/2 THRU 1-1/4 IN. – MALE UNION OUTLET, FEMALE INLET	
	SCREWED GLOBE	1-1/2 AND 2 IN.	
	125 psig FLANGED GLOBE	2-1/2 THRU 6 IN.	
VALVE PLUG		EQUAL PERCENTAGE CHARACTERISTIC	
BODY RATING		150 psig (10.5 kp/cm <sup>2</sup> )	
MAX. PRESSURE & TEMPERATURE	STEAM	35 psig (2.5 kp/cm <sup>2</sup> ); 281 F (138 C)	
	WATER	150 psig (10.5 kp/cm <sup>2</sup> ); 281 F (138 C)	
MATERIALS	BODY	1/2–2 IN.	CAST BRASS, NATURAL FINISH
		2-1/2–6 IN.	CAST IRON, BLACK LACQUER FINISH
	TRIM	1/2–2 IN.	BRASS
		2-1/2–6 IN.	BRASS, WITH REPLACEABLE SCREWED-IN SEAT
	STEM	STAINLESS STEEL	
	DISC	REPLACEABLE COMPOSITION	
	STEM PACKING	1/2–4 IN.	U-CUP, ELASTOMER
3–6 IN.		TEFLON ROPE (VA-3400 ONLY)	
ACTUATORS (ORDER SEPARATELY)	VA-5000	1/2 – 2 IN. VALVES	
	VA-3200	1/2 – 4 IN. VALVES	
	VA-3400	3 – 6 IN. VALVES	

**PRODUCT  
DATA  
VB-3752**



**JOHNSON SERVICE COMPANY**  
507 EAST MICHIGAN STREET • MILWAUKEE, WISCONSIN 53201

**Dimensions**



**Actuator**

ACTUATOR	A	B	X*
VA-5000	3-1/4	9-1/4	4-3/4
VA-3200	7-3/4	15-7/8	5-3/4
VA-3400	15-1/4	28-1/4	5-1/2

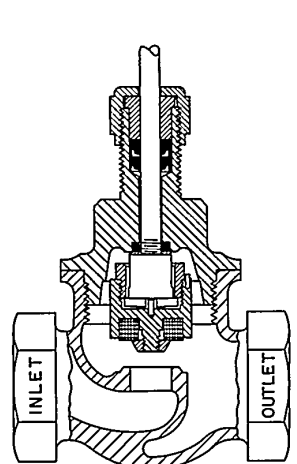
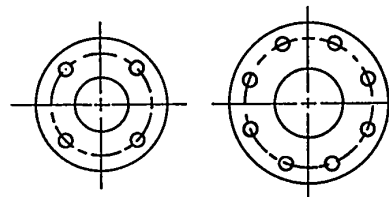
\* X is the minimum clearance required to remove the actuator.

**Valve Body**

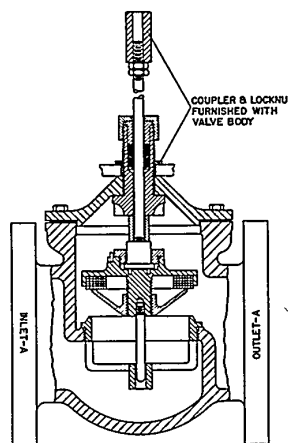
VALVE SIZE (in.)	DIMENSIONS (in.)			
	C	D	F	H
1/2		1-5/8	1-3/8	2-11/16
3/4		1-15/16	1-5/8	3-1/16
1		2-5/16	1-7/8	3-5/16
1-1/4		2-7/16	2-1/8	4-1/16
1-1/2	4-7/8	2-3/4		
2	5-1/8	3-1/4		
2-1/2	7-1/4	4-11/16		
3	8-5/8	5-5/16		
4	10-1/2	6-5/16		
5	12-1/2	6-7/8		
6	14-1/2	8-3/16		

**Flange and Bolt Circle Dimensions (in.)**

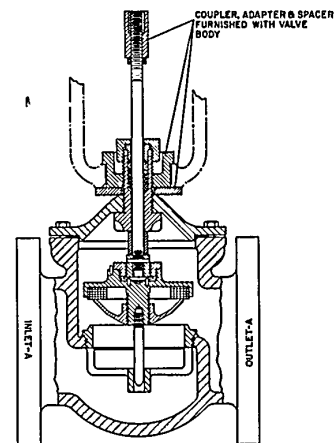
Valve Size (in.)	Dia. of Flange	Thickness of Flange	Dia. of Bolt Circle	Dia. of Bolt Holes	No. of Bolt Holes
2 1/2	7	11/16	5 1/2	3/4	4
3	7 1/2	3/4	6	3/4	4
4	9	1	7 1/2	3/4	8
5	10	15/16	8 1/2	7/8	8
6	11	15/16	9 1/2	7/8	8



1/2" and 2" Screwed Valves



2-1/2" thru 4" Flanged Valves (VA-3200 Actuator)

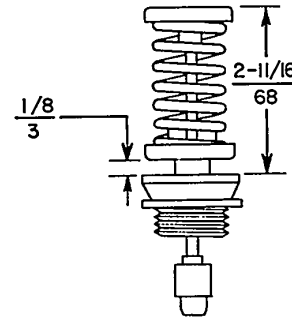
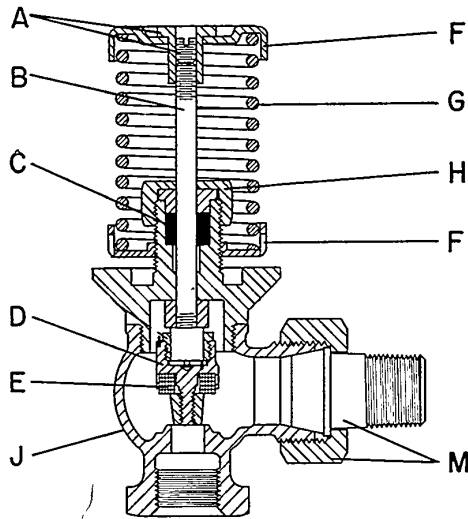


3" thru 6" Flanged Valves (VA-3400 Actuator)



Johnson Controls, Inc.  
Controls Group  
507 E. Michigan Street  
P.O. Box 423  
Milwaukee, WI 53201

### V-3752 Normally Open Valve 1/2 thru 2 in.



**K** Inner Valve and Spring Assembly with Modulating Plug

Item	Name of Part	Code No.
A	Stem Connector and Stem Lock Screw (5 each)	V-3000-610 *
B	Stem and Swivel Assembly Includes: Stem, Swivel, and Swivel Nut Lock Pin for:	
	<b>Globe Valves</b>	
	Valve Size (in.)	
	1/2	V-3752-664 *
	3/4	V-3752-665 *
	1	V-3752-666 *
	1-1/4	V-3752-667 *
	1-1/2	V-3752-668 *
	2	V-3752-669 *
	<b>Union Angle Valves</b>	
	Valve Size (in.)	
	1/2	V-3752-670 *
3/4	V-3752-671 *	
1	V-3752-668 *	
1-1/4	V-3752-672 *	
1-1/2	V-3752-672 *	
2	V-3752-673 *	
* DOES NOT CONTAIN A PIN		
C	Packing Kit	V-9999-608

For Actuator Repair Parts see V-3000 Product Data

Item	Name of Part	Code No.		
D	Disc Assembly Includes: Disc, Disc Holder, Modulating Plug and 3 Pins for:			
	<b>Globe Valves</b>			
	Valve Size (in.)	Seat Size (in.)	C <sub>v</sub>	
	1/2	3/8	.9	V-3020-645
	1/2	3/8	1.8	V-3020-647
	3/4	1/2	3.8	V-3020-666
	1	3/4	7.0	V-3020-667
	1-1/4	1	12.0	V-3020-668
	1-1/2	1-1/4	20.0	V-3020-669
	2	1-1/2	26.0	V-3020-670
	<b>Union Angle Valves</b>			
	Valve Size (in.)	Seat Size (in.)	C <sub>v</sub>	
	1/2	3/8	1.1	V-3020-645
	1/2	3/8	2.5	V-3020-647
	3/4	1/2	3.7	V-3020-671
	1	3/4	7.7	V-3020-667
	1-1/4	1	12.0	V-3020-668
	1-1/2	1-1/4	20.0	V-3020-669
2	1-1/2	26.0	V-3020-670	
E	Disc Only			
	Valve Size (in.)			
	1/2	V-3020-621		
	3/4	V-3752-647		
	1	V-3011-601		
	1-1/4	V-3011-602		
1-1/2	V-3020-606			
2	V-3020-607			



R-V-3752-2

Item	Name of Part	Code No.
F	Spring Plate Kit (Upper and Lower)	V-9999-612
G	Springs 3-6 PSIG Valve Size (in.) 1/2 and 3/4 1 and 1-1/4 1-1/2 and 2	V-3752-6001 V-3752-6002 V-3754-607
	Springs 9-13 PSIG Valve Size (in.) 1/2 and 3/4 1 and 1-1/4 1-1/2 and 2	V-3752-641 V-3752-643 V-3752-645
H	Packing Nut	V-3752-646
J	Union Angle Valves, 3-6 PSIG Spring, Complete Less Actuator Valve Size (in.)      C <sub>v</sub>	
	1/2      1.5	<del>V-3752-6006</del>
	1/2      2.5	<del>V-3752-6007</del>
	3/4      3.7	V-3752-6008
	1      7.7	V-3752-6009
	1-1/4      12.0	V-3752-6010
	1-1/2      20.0	V-3752-6011
	Union Globe Valve 1-1/4      12.0	V-3752-6012
	Union Globe Body Only <del>1/2</del>	<del>V-3752-6003</del>
	3/4	V-3752-6004
1	V-3752-6005	

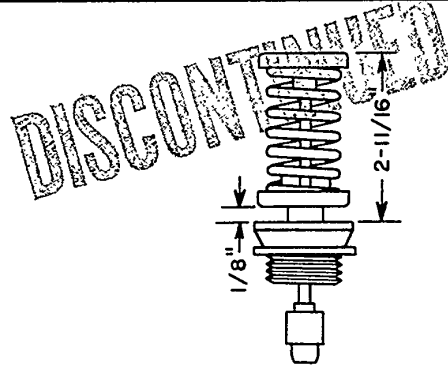
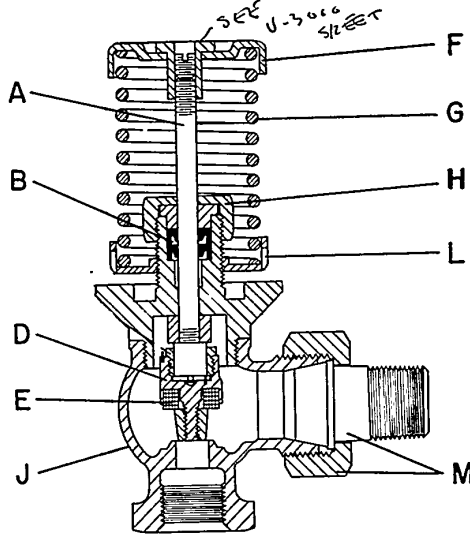
Item	Name of Part	Code No.
K	Inner Valve and Spring Assembly for: Globe Valves 3-6 PSIG Spring Valve Size (in.)      C <sub>v</sub>	
	1/2      .9	V-3752-688
	1/2      1.8	V-3752-689
	3/4      3.8	V-3752-690
	1      7.0	V-3752-691
	1-1/4      12.0	V-3752-692
	1-1/2      20.0	V-3752-693
	2      26.0	V-3752-694
	Globe Valves 9-13 PSIG Spring Valve Size (in.)      C <sub>v</sub>	
	1/2      1.8	V-3752-611
	3/4      3.8	V-3752-613
	1      7.0	V-3752-614
	1-1/4      12.0	V-3752-615
	1-1/2      20.0	V-3752-616
	2      26.0	V-3752-617
	Union Angle Valves 3-6 PSIG Spring Valve Size (in.)      C <sub>v</sub>	
	1/2      2.5	V-3752-695
	3/4      3.7	V-3752-696
	1      7.7	V-3752-697
	1-1/4      12.0	V-3752-698
1-1/2      20.0	V-3752-699	
2      35.0	V-3752-6000	
Reverse Flow Union Angle Valves 3-6 PSIG Spring V-3800 Valve Without Body Valve Size (in.)      C <sub>v</sub>		
1/2      2.3	V-3800-646*	
3/4      3.9	V-3800-647*	
J	Union Nut and Male Tailpiece Assembly for Valves with Union Connections Valve Size (in.)	
	1/2	V-3752-636
	3/4	V-3752-637
	1	V-3752-638
	1-1/4	V-3752-639
	1-1/2	V-111-6026
2	V-111-6027	

\* Also order Actuator Code No. V-3800-640.



Johnson Controls, Inc.  
 507 E. Michigan Street  
 P.O. Box 423  
 Milwaukee, WI 53201

### V-3752 Water or Steam Valve, N.O.



K Inner Valve and Spring Assembly with Modulating Plug.

**USE CODE NUMBER ONLY WHEN ORDERING**

ITEM	NAME OF PART	CODE NO.
A	Stem and Swivel Assembly Includes: Stem, Swivel and Swivel Locknut Pin for:	
	Globe Valves	
	Size	
	1/2"	V-3752-664
	3/4"	V-3752-665
	1"	V-3752-666
	1-1/4"	V-3752-667
	1-1/2"	V-3752-668
	2"	V-3752-669
	Angle Valves	
	Size	
	1/2"	V-3752-670
3/4"	V-3752-671	
1"	V-3752-668	
1-1/4"	V-3752-672	
1-1/2"	V-3752-672	
2"	V-3752-673	
B	Packing Kit	V-4322-620

NOTE: For Actuators Repairs Refer to Sheet R-V-3000-2.

LIST OF PARTS CONTINUED ON NEXT PAGE

USE CODE NUMBER ONLY WHEN ORDERING

ITEM	NAME OF PART	CODE NO.
D	Disc Assembly Includes: Disc, Disc Holder, Modulating Plug and 3 Pins for:	
	Globe Valves	
	Valve Size    Seat Size    C <sub>v</sub>	
	1/2"    3/8"    .9	V-3020-645
	1/2"    3/8"    1.8	V-3020-647
	3/4"    1/2"    3.8	V-3020-666
	1"    3/4"    7.0	V-3020-667
	1-1/4"    1"    12.0	V-3020-668
	1-1/2"    1-1/4"    20.0	V-3020-669
	2"    1-1/2"    26.0	V-3020-670
	Union Angle Valve	
	Valve Size    Seat Size    C <sub>v</sub>	
	1/2"    3/8"    1.1	V-3020-645
	1/2"    3/8"    2.5	V-3020-647
	3/4"    1/2"    3.7	V-3020-671
	1"    3/4"    7.7	V-3020-667
	1-1/4"    1"    12.0	V-3020-668
	1-1/2"    1-1/4"    20.0	V-3020-669
	2"    1-1/2"    35.0	V-3020-670
	E	Disc Only
Valve Size		
1/2"		V-3020-621
3/4"		V-3752-647
1"		V-3011-601
1-1/4"		V-3011-602
1-1/2"	V-3020-606	
2"	V-3020-607	
F	Spring Plate (Upper)	V-3752-674
G	Springs 3-6#	
	Valve Size	
	1/2" — 3/4"	V-3752-6001
	1" — 1-1/4"	V-3752-6002
	1-1/2" — 2"	V-3754-607
	Springs 9-13#	
Valve Size		
1/2" — 3/4"	V-3752-641	
1" — 1-1/4"	V-3752-643	
1-1/2" — 2"	V-3752-645	
H	Gland Nut	V-3752-646
J	Union Angle Valves, 3-6 PSI Spring, Complete less Actuator	
	Valve Size    C <sub>v</sub>	
	1/2"    1.5	V-3752-6006
	1/2"    2.5	V-3752-6007
	3/4"    3.7	V-3752-6008
	1"    7.7	V-3752-6009
	1-1/4"    12.0	V-3752-6010
	1-1/2"    20.0	V-3752-6011
	Union Globe Valve	
	1-1/4"    12.0	V-3752-6012
Union Globe Body Only		
1/2"	V-3752-6003	
3/4"	V-3752-6004	
1"	V-3752-6005	

ITEM	NAME OF PART	CODE NO.
K	Inner Valve and Spring Assembly for:	
	Globe Valves 3-6 psi Spring.	
	Valve Size    C <sub>v</sub>	
	1/2"    .9	V-3752-688
	1/2"    1.8	V-3752-689
	3/4"    3.8	V-3752-690
	1"    7.0	V-3752-691
	1-1/4"    12.0	V-3752-692
	1-1/2"    20.0	V-3752-693
	2"    26.0	V-3752-694
	Globe Valves 9-13 psi Spring	
	Valve Size    C <sub>v</sub>	
	1/2"    1.8	V-3752-611
	3/4"    3.8	V-3752-613
	1"    7.0	V-3752-614
	1-1/4"    12.0	V-3752-615
	1-1/2"    20.0	V-3752-616
	2"    26.0	V-3752-617
	Angle Valves 3-6 psi Spring	
	Valve Size    C <sub>v</sub>	
1/2"    2.5	V-3752-695	
3/4"    3.7	V-3752-696	
1"    7.7	V-3752-697	
1-1/4"    12.0	V-3752-698	
1-1/2"    20.0	V-3752-699	
2"    35.0	V-3752-6000	
For Reverse Flow Union Angle Valve 3-6 psi Spring		
V-3800 Valve Without Body		
Valve Size    C <sub>v</sub>		
1/2"    2.3	V-3800-646*	
3/4"    3.9	V-3800-647*	
L	Spring Plate (Lower)	V-3752-675
M	Union Nut and Male Tailpiece Assembly for Valves with Union Connections	
	Valves	
	1/2"	V-3752-636
	3/4"	V-3752-637
	1"	V-3752-638
	1-1/4"	V-3752-639
1-1/2"	V-111-6026	
2"	V-111-6027	

\*Also order Actuator Code No. V-3800-640.

4-8 psi SPRING

was

625  
605  
606  
607  
608  
609  
610

618  
619  
620  
621  
631  
632

628  
629

3/8"

1/2"

3/8" 1-1/4"



**JOHNSON SERVICE COMPANY**  
507 EAST MICHIGAN STREET • MILWAUKEE, WISCONSIN 53201

REPAIR PARTS R-V-3752-2

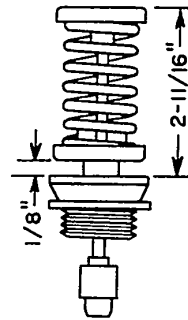
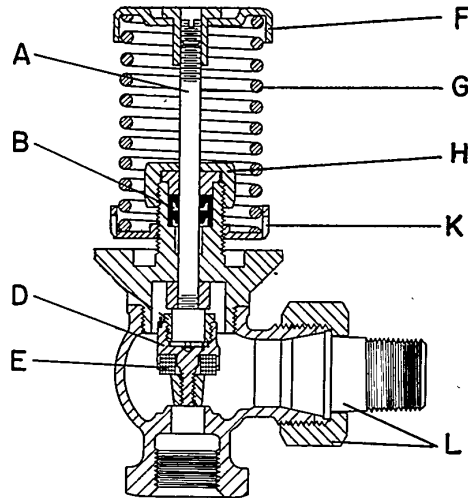
**DISCONTINUED**

# Johnson V-3752 Water or Steam Valve

Normally Open

Single Seat

Modulating Plug



J Inner Valve and Spring Assembly with Modulating Plug.

*SWIVEL NUT  
1/2" 10-40102  
3/4"-2" 11-1445*

**USE CODE NUMBER ONLY WHEN ORDERING**

Item	Name of Part	Order in Multiples of	Code No.
A	Stem and Swivel Assembly Includes: Stem, Swivel and Swivel Locknut Pin for:		
	Globe Valves		
	Size		
	1/2"	5	V-3752-664
	3/4"	5	V-3752-665
	1"		V-3752-666
	1 1/4"		V-3752-667
	1 1/2"		V-3752-668
	2"		V-3752-669
	Angle Valves		
	Size		
	1/2"	5	V-3752-670
	3/4"	5	V-3752-671
	1"		V-3752-668
1 1/4"		V-3752-672	
1 1/2"		V-3752-672	
2"		V-3752-673	
B	Packing Kit	10	V-4322-620

NOTE: For Actuators Repairs Refer to Sheet R-V-3000-2.

*3752-6012  
76*

*6041  
84*

LIST OF PARTS CONTINUED ON NEXT PAGE

R-V-3752-2 REPAIR PARTS



**JOHNSON SERVICE COMPANY**  
507 EAST MICHIGAN STREET • MILWAUKEE, WISCONSIN 53201

**USE CODE NUMBER ONLY WHEN ORDERING**

Item	Name of Part	Order in Multiples of	Code No.	Item	Name of Part	Order in Multiples of	Code No.	
D	Disc Assembly Includes: Disc, Disc Holder, Modulating Plug and 3 Pins for: Globe Valves			J	Inner Valve and Spring Assembly for: Globe Valves 4-8 psi Spring			
	Valve Size    Seat Size    Cv				Valve Size    Cv			
	1/2"            3/8"            .9		V-3020-645		1/2"            1.8			V-3752-625
	1/2"            3/8"            1.8		V-3020-647		3/4"            3.8			V-3752-605
	3/4"            1/2"            3.8		V-3020-666		1"             7.0			V-3752-606
	1"             3/4"            7.0		V-3020-667		1 1/4"        12.0			V-3752-607
	1 1/4"        1"             12.0		V-3020-668		1 1/2"        20.0			V-3752-608
	1 1/2"        1 1/4"        20.0		V-3020-669		2"            26.0			V-3752-609
	2"            1 1/2"        26.0		V-3020-670		Globe Valves 9-13 psi Spring			V-3752-610
	Union Angle Valve				Valve Size    Cv			
	Valve Size    Seat Size    Cv				1/2"            1.8			V-3752-611
	1/2"            3/8"            .9		V-3020-645		3/4"            3.8			V-3752-613
	1/2"            3/8"            2.5		V-3020-647		1"             7.0			V-3752-614
	3/4"            1/2"            3.7		V-3020-671		1 1/4"        12.0			V-3752-615
	1"             3/4"            7.7		V-3020-667		1 1/2"        20.0			V-3752-616
	1 1/4"        1"             12.0		V-3020-668		2"            26.0			V-3752-617
	1 1/2"        1 1/4"        20.0		V-3020-669		Angle Valves 4-8 psi Spring			
	2"            1 1/2"        35.0		V-3020-670		Valve Size    Cv			
E	Disc Only			1/2"            2.5			V-3752-618	
	Valve Size			3/4"            3.7			V-3752-619	
	1/2"            10		V-3020-621	1"             7.7			V-3752-620	
	3/4"            10		V-3752-647	1 1/4"        12.0			V-3752-621	
	1"             10		V-3011-601	1 1/2"        20.0			V-3752-631	
	1 1/4"        10		V-3011-602	2"            35.0			V-3752-632	
F	Spring Plate (Upper)	5	V-3752-674	For Reverse Flow Union Angle Valve 4-8 psi Spring				
	Springs 4-8#			V-3800 Valve Without Body				
	Valve Size			Valve Size    Cv				
G	1/2" - 3/4"	5	V-3752-640	1/2"            2.3			V-3800-628*	
	1" - 1 1/4"	5	V-3752-642	3/4"            3.9			V-3800-629*	
	1 1/2" - 2"	5	V-3752-644	K	Spring Plate (Lower)	5	V-3752-675	
	Springs 9-13#			L	Union Nut and Male Tailpiece Assembly for Valves with Union Connections			
	Valve Size				Valves			
	1/2" - 3/4"	5	V-3752-641		1/2"            V-3752-636			
1" - 1 1/4"	5	V-3752-643	3/4"            V-3752-637					
1 1/2" - 2"	5	V-3752-645	1"             V-3752-638					
H	Gland Nut	5	V-3752-646	1 1/4"        V-3752-639				
				1 1/2"        V-111-6026				
				2"            V-111-6027				

*SHOWN DOES NOT MATCH WITH PLATE*

\*Also order Actuator Code No. V-3100-612

## USE CODE NUMBER WHEN ORDERING ITEMS LISTED BELOW

SIZE	C <sub>v</sub>	BODY STYLE	SPRING	CODE NUMBER	PART NUMBER	AVAILABILITY	LIST PRICE	NET WT.	BRANCH PRICE
½	.9	UN-GL	4-8	V-3752-3	16-25035-4003	1 or 3	\$ 32.00	1.50	\$ 8.00
½	.9	UN-GL	9-13	V-3752-33	16-25034-4003	1 or 3	32.00	1.50	8.00
½	1.5	UN-GL	4-8	V-3752-5	16-25035-4002	1	32.00	1.50	8.00
½	1.5	UN-GL	9-13	V-3752-24	16-25034-4002	1	32.00	1.50	8.00
½	2.3	UN-GL	4-8	V-3752-7	16-25035-4001	1 or 3	32.00	1.50	8.00
½	2.3	UN-GL	9-13	V-3752-25	16-25034-4001	1 or 3	32.00	1.50	8.00
¾	3.8	UN-GL	4-8	V-3752-9	16-25045-4001	1 or 3	40.00	1.75	10.00
¾	3.8	UN-GL	9-13	V-3752-26	16-25044-4001	1 or 3	40.00	1.75	10.00
1	7.0	UN-GL	4-8	V-3752-11	16-25054-4001	1 or 3	48.00	3.00	12.00
1	7.0	UN-GL	9-13	V-3752-27	16-25053-4001	1 or 3	48.00	3.00	12.00
1¼	12.0	UN-GL	4-8	V-3752-13	16-25062-4001	1 or 3	56.00	3.50	14.00
1¼	12.0	UN-GL	9-13	V-3752-28	16-25061-4001	1 or 3	56.00	3.50	14.00
1½	20.0	SC-GL	4-8	V-3752-29	16-25395-4001	1 or 3	64.00	5.75	16.00
1½	20.0	SC-GL	9-13	V-3752-30	16-25394-4001	1 or 3	64.00	5.75	16.00
2	35.0	SC-GL	4-8	V-3752-31	16-25405-4001	1 or 3	72.00	7.00	18.00
2	35.0	SC-GL	9-13	V-3752-32	16-25404-4001	1	72.00	7.00	18.00

NOTE: 1/2" VALVE C<sub>v</sub> .2 AND C<sub>v</sub> .4 AVAILABLE  
ON SPECIAL ORDER.

USE CODE NUMBER WHEN ORDERING ITEMS LISTED BELOW

SIZE	Cv	BODY STYLE	TOP OPER	SPRING		CODE NUMBER	PART NUMBER	AVAILABILITY	LIST PRICE	NET WT.	BRANCH PRICE
1/2	2.3	RF-UA		4-8		V-3752-21	16-25032-4001	STOCK	\$ 34.00	1.50	\$ 8.40
3/4	3.9	RF-UA		4-8		V-3752-22	16-25037-4001		36.00	1.75	9.00

## USE CODE NUMBER WHEN ORDERING ITEMS LISTED BELOW

SIZE	Cv	BODY STYLE	SPRING	CODE NUMBER	PART NUMBER	AVAILABILITY	LIST PRICE	NET WT.	BRANCH PRICE
1/2	1.1	UN-AN	4-8	V-3752-16	16-25040-4003	2	\$ 32.00	1.50	\$ 8.00
1/2	1.5	UN-AN	4-8	V-3752-17	16-25040-4002	1 or 3	32.00	1.50	8.00
1/2	2.5	UN-AN	4-8	V-3752-18	16-25040-4001	1 or 3	32.00	1.50	8.00
3/4	3.7	UN-AN	4-8	V-3752-19	16-25050-4001	1 or 3	40.00	1.75	10.00
	6.7	UN-AN	4-8	V-3752-20	16-25058-4001	1 or 3	48.00	3.00	12.00
1/4	12.0	UN-AN	4-8	V-3752-23	16-25066-4001	1 or 3	56.00	3.50	14.00
1/2	20.0	UN-AN	4-8	V-3752-35	16-25400-4001	1	64.00	5.75	16.00
	35.0	UN-AN	4-8	V-3752-34	16-25410-4001	2	72.00	7.00	18.00

## USE CODE NUMBER WHEN ORDERING ITEMS LISTED BELOW

SIZE	C <sub>v</sub>	BODY STYLE	RECOMMENDED ACTUATORS	CODE NUMBER	PART NUMBER	AVAILABILITY	LIST PRICE	NET WT.	BRANCH PRICE
½	0.9	UN-GL	VA-3200 VA-5000	V-3752-9003	16-50177-4003	1	\$ 32.00	1.50	\$ 8.00
½	1.5	UN-GL	VA-3200 VA-5000	V-3752-9005	16-50177-4002	1	32.00	1.50	8.00
½	2.3	UN-GL	VA-3200 VA-5000	V-3752-9007	16-50177-4001	1	32.00	1.50	8.00
¾	3.8	UN-GL	VA-3200 VA-5000	V-3752-9009	16-50178-4001	1	40.00	1.75	10.00
1	7.0	UN-GL	VA-3200 VA-5000	V-3752-9011	16-50179-4001	1	48.00	3.00	12.00
1¼	12.0	UN-GL	VA-3200 VA-5000	V-3752-9013	16-50180-4001	1	56.00	3.50	14.00
1½	20.0	SC-GL	VA-3200 VA-5000	V-3752-9101	16-50181-4001	1	64.00	5.75	16.00
2	35.0	SC-GL	VA-3200 VA-5000	V-3752-9102	16-50182-4001	1	72.00	7.00	18.00
2½	51.0	FL-GL	VA-3200	V-3752-9103	16-50183-4001	1	128.00	27.00	32.00
2½	51.0	FL-GL	VA-3400	V-3752-9110	16-50226-4001	1	136.00	27.00	34.00
		FL-GL	VA-3200	V-3752-9104	16-50184-4001	1	176.00	41.00	44.00
3	83.0	FL-GL	VA-3400	V-3752-9111	16-50227-4001	1	184.00	41.00	46.00
4	150.0	FL-GL	VA-3200	V-3752-9105	16-50185-4001	1	276.00	132.00	69.00
4	150.0	FL-GL	VA-3400	V-3752-9106	16-50228-4001	2	284.00	132.00	71.00
5	240.0	FL-GL	VA-3400	V-3752-9107	16-50229-4001	2	472.00	159.00	118.00
6	350.0	FL-GL	VA-3400	V-3752-9108	16-50230-4001	2	552.00	217.00	138.00
8	590.0	FL-GL	VA-3400	V-3752-9109	16-50231-4001	2	1072.00	355.00	268.00

1/2" VALVE C<sub>v</sub> .2 AND C<sub>v</sub> .4 AVAILABLE ON SPECIAL ORDER

NOTE: THESE VALVES TO BE ORDERED FROM THE DALLAS PLANT.  
PLEASE CROSS REFERENCE VALVE CODE NO. WITH ACTUATOR  
PRODUCT SPEC. NO. ON ORDER.

ACTUATOR MUST BE ORDERED SEPARATELY.

NOTE: Please add to the above prices the amount of \$2.00 for the coupling kit and assembly of actuators to these valves. Whenever the VA-3400 actuator is used, add \$15.00 to the valve body price.

USE CODE NUMBER WHEN ORDERING ITEMS LISTED BELOW

SI	Cv	BODY STYLE	RECOMMENDED ACTUATORS	CODE NUMBER	PART NUMBER	AVAILABILITY	LIST PRICE	NET WT.	BRANCH PRICE
½	1.1	UN-AN	VA-3200 VA-5000	V-3752-9016	16-50277-4003	2	\$ 32.00	1.50	\$ 8.00
½	1.5	UN-AN	VA-3200 VA-5000	V-3752-9017	16-50277-4002	1	32.00	1.50	8.00
½	2.5	UN-AN	VA-3200 VA-5000	V-3752-9018	16-50277-4001	1	32.00	1.50	8.00
¾	3.7	UN-AN	VA-3200 VA-5000	V-3752-9019	16-50278-4001	1	40.00	1.75	10.00
1	6.7	UN-AN	VA-3200 VA-5000	V-3752-9020	16-50279-4001	1	48.00	3.00	12.00
1¼	12.0	UN-AN	VA-3200 VA-5000	V-3752-9023	16-50280-4001	2	56.00	3.50	14.00
1½	20.0	UN-AN	VA-3200 VA-5000	V-3752-9035	16-50281-4001	2	64.00	5.75	16.00
2	35.0	UN-AN	VA-3200 VA-5000	V-3752-9034	16-50282-4001	2	72.00	7.00	18.00

NOTE: THESE VALVES TO BE ORDERED FROM THE DALLAS PLANT. PLEASE CROSS REFERENCE VALVE CODE NO. WITH ACTUATOR PRODUCT SPEC. NO. ON ORDER.

ACTUATOR MUST BE ORDERED SEPARATELY.

NOTE: Please add to the above prices the amount of \$2.00 for the coupling kit and assembly of actuators to these valves. Whenever the VA-3400 actuator is used, add \$15.00 to the valve body price.